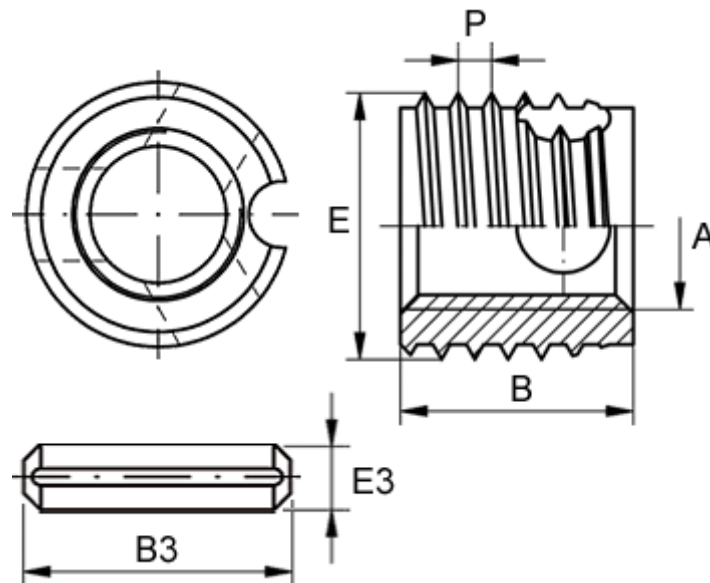


Article number: 12317000120160
Description: KLEE-coil 317 000 120.160
M12 Hardened/zinc-plated slotted pin

Measures



Female thread A	= M12
Length B	= 12
Male thread E	= 16.0
Min hole depth blind hole	= 15
Slotted pin B3	= 10
Slotted pin E3	= 2
Thread pitch P	= 1.75
Type	= 317 000 120 ...